

Talis M54

Single lever kitchen mixer 220, Eco, 1jet

Surfaces: **Matt Black** Article Number: **72843670**



Description

product features

- ComfortZone 220
- swivel range adjustable in 4 steps 60°, 110°, 150° or 360°
- laminar spray
- connection dimension: DN15
- maximum flow rate at 3 bar: 5 l/min
- ceramic cartridge
- connection type: G 3/8 connections
- temperature limitation adjustable
- suitable for continuous flow water heaters
- flow rate limited to maximum 6 l/min

Technology



Design awards

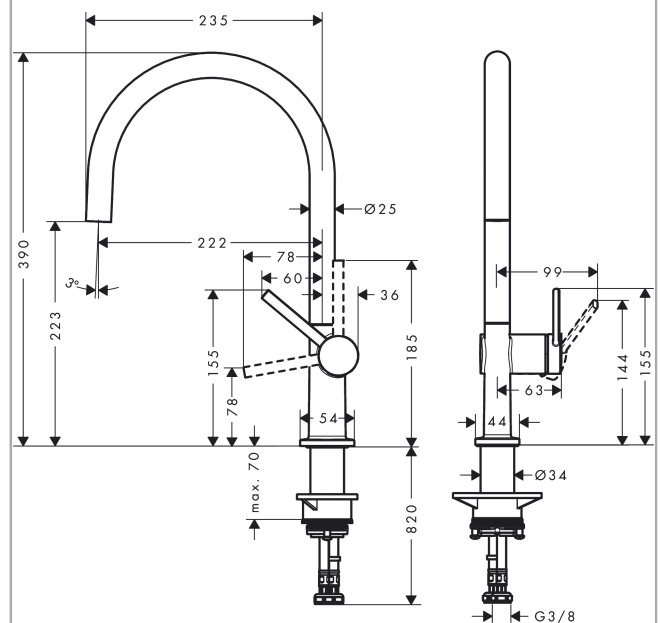


reddot winner 2020

Product image



Scale drawing



Flowchart

